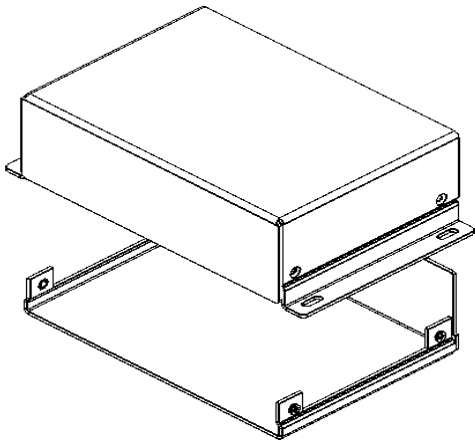
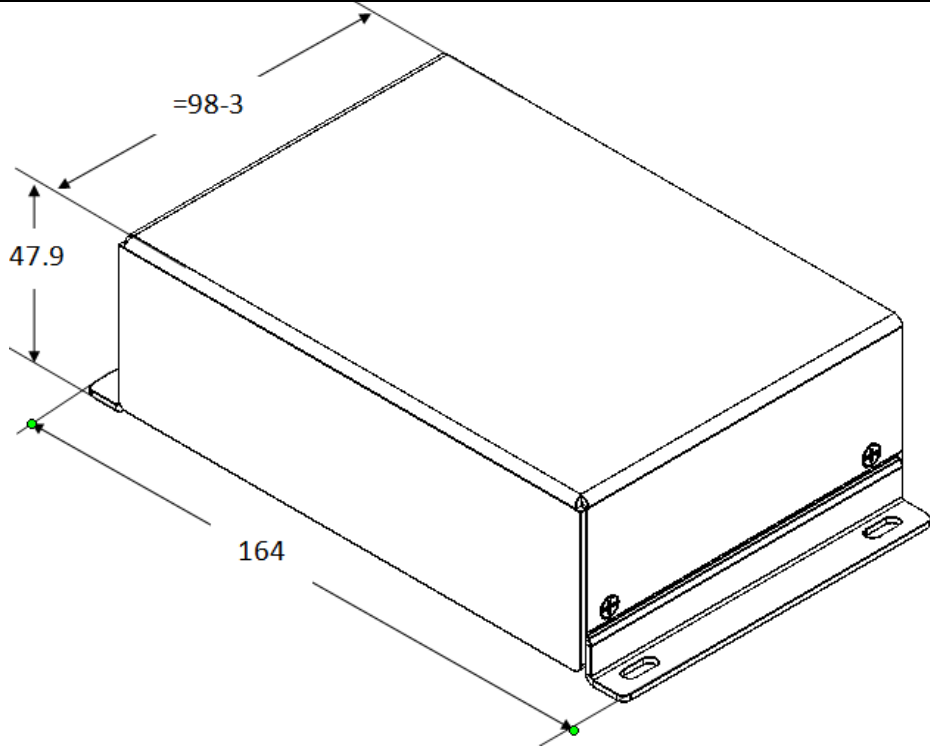




Worldwide OEM equipment supply

**CSTM's Aluminum Project Box - DATASHEET**



**OEMix P/N: CSTM-FR1 - 135X95X42 - P-7035**

|  |  |    |      |
|--|--|----|------|
| Elements   | Base, Cover and two panels                                 |    |      |
| Int. Dimensions [mm]<br>(Subtract 4mm for margins) | W  | L  | H    |
|  | 135  | 95 | 42   |
| Ext. Dimensions [mm]                               | W  | L  | H    |
|  | 164  | 98 | 47.9 |
| Finish   | a. Conv. coat MIL-C-5541 Class 3<br>b. Gray paint RAL#7035 |    |      |
| Clamping   | 4 elongated slots  |    |      |
| Al Sheet thickness [mm]                            | 1.5  |    |      |

For more information please see [www.OEMix.com](http://www.OEMix.com)