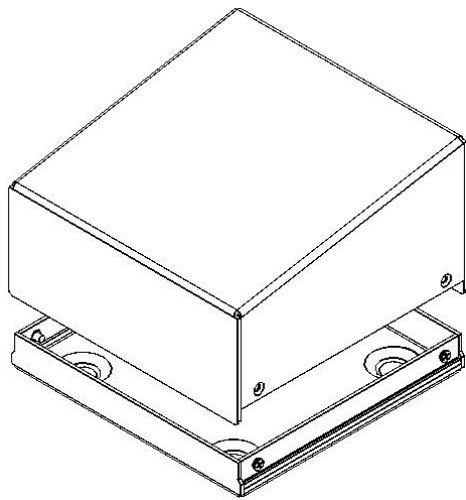
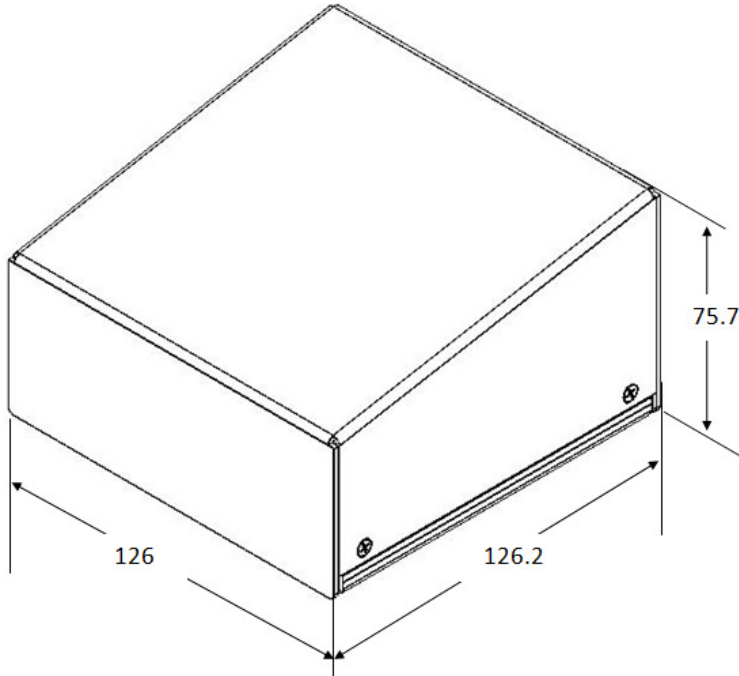




Worldwide OEM equipment supply

**CSTM's Aluminum Project Box - DATASHEET**



**OEMix P/N: CSTM-INC1 - 120X120X50 - P-7035**

|  |  |          |                        |
|--|--|----------|------------------------|
| Elements   | Base, Cover  |          |                        |
| Int. Dimensions [mm]<br>(Subtract 4mm for margins) | <b>W</b>   | <b>L</b> | <b>H<sub>MIN</sub></b> |
|  | 120  | 120      | 49.3                   |
| Ext. Dimensions [mm]                               | <b>W</b>   | <b>L</b> | <b>H<sub>MAX</sub></b> |
|  | 126  | 126.2    | 75.7                   |
| Finish   | a. Conv. coat MIL-C-5541 Class 3<br>b. Gray paint RAL#7035 |          |                        |
| External Clamping                                  | No t for clamping  |          |                        |
| Al Sheet thickness [mm]                            | 1.5  |          |                        |

For more information please see [www.OEMix.com](http://www.OEMix.com)