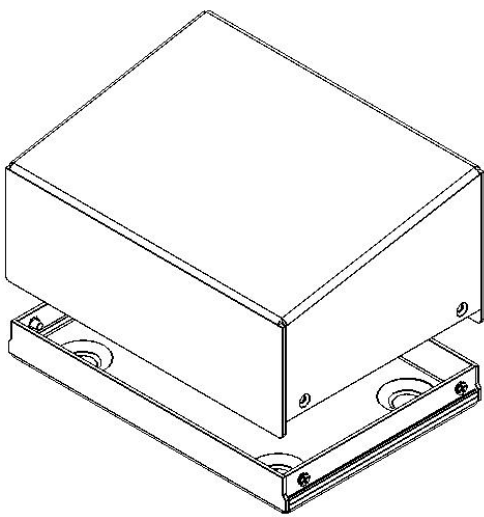
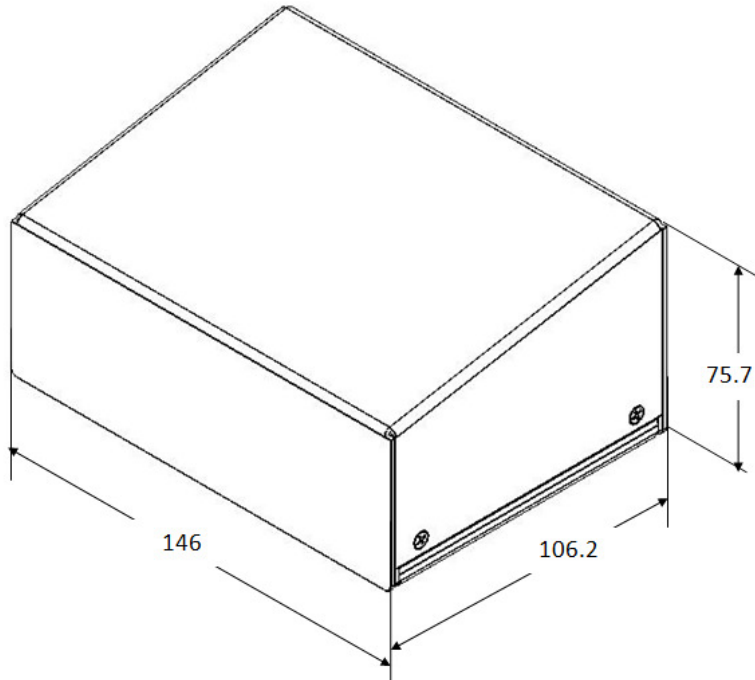




Worldwide OEM equipment supply

CSTM's Aluminum Project Box - DATASHEET



OEMix P/N: CSTM-INC1 - 140X100X50 - P-7035

| | | | |
|----------------------------------------------------|------------------------------------------------------------|----------|------------------------|
| Elements | Base, Cover | | |
| Int. Dimensions [mm] (Subtract 4mm for margins) | W | L | H_{MIN} |
| | 140 | 100 | 49.3 |
| Ext. Dimensions [mm] | W | L | H_{MAX} |
| | 146 | 106.2 | 75.7 |
| Finish | a. Conv. coat MIL-C-5541 Class 3 b. Gray paint RAL#7035 | | |
| External Clamping | No t for clamping | | |
| Al Sheet thickness [mm] | 1.5 | | |

For more information please see www.OEMix.com