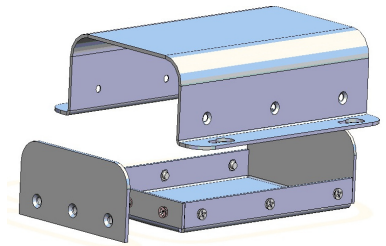




CSTM
R&D Solutions



Data Sheet and Selection Table for FT3 Series

FT3 Features:

Design: rounded cover

Parts: Base, cover and panel

Material: Al sheet 1.5mm

Finishing: Anodize, Passivation, Paint

Support: Continuous side anchors

Base: slightly elevated from clamping surface

Clamping: 4 "keyholes" for rapid displacement (panel on top)

Selection: PCB "Length" - under 145mm, PCB area - under 142 cm²

Protruding components: possible on opposite PCB sides along box "Length"

Use the following P/N field definition for ordering:

CSTM - **FT3** - **WxLxH** - **A\P\C** - **Alphanumeric**

CSTM - fixed Prefix

FT3 - series indicator Prefix

WxLxH - is the "Mid P/N" defined by the inner dimensions WxLxH

A\P\C - finishing options: Anodize\Paint\Coating

Alphanumeric - takes paint RAL color No. or Anodize color

Finishing options defined by the A\P\C field:

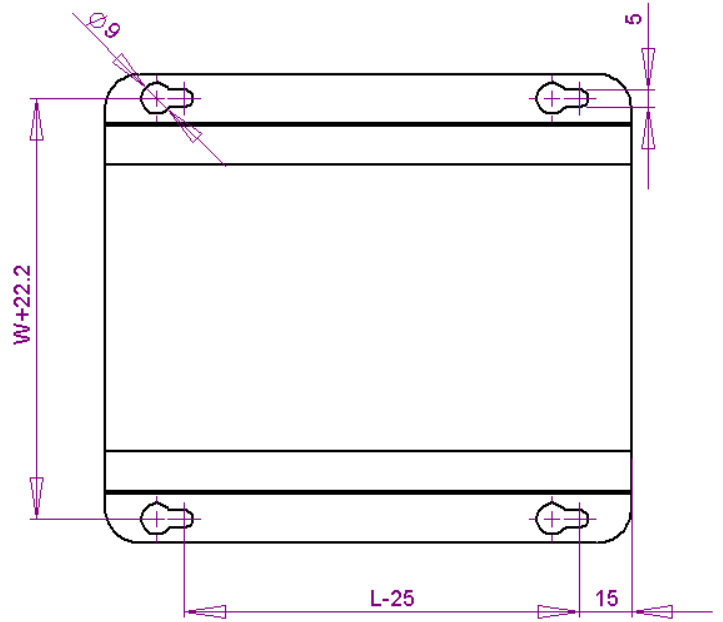
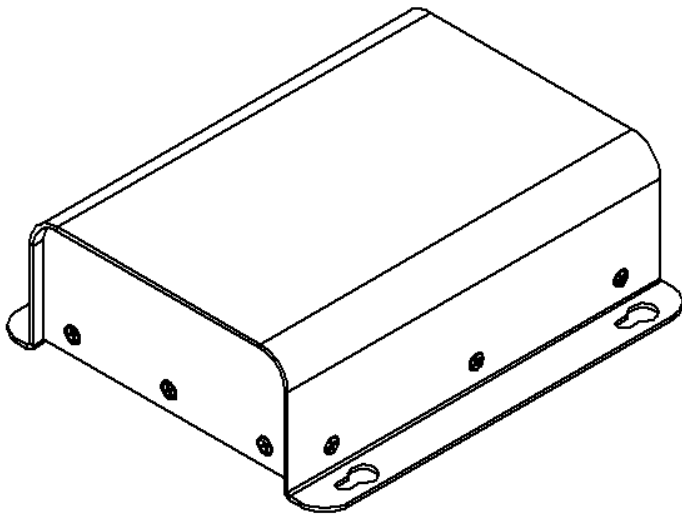
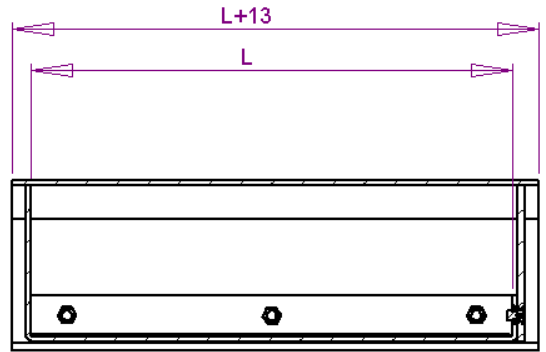
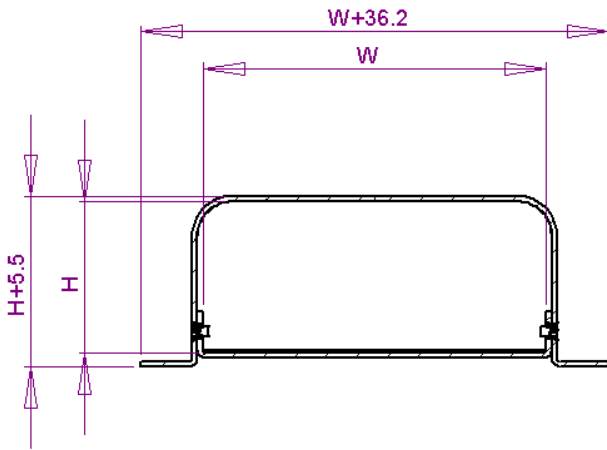
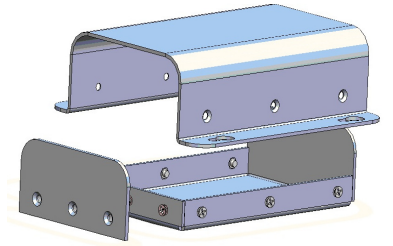
A - Anodize: According to MIL-A-8625. Select Anodize color (Black, Natural, Gold, Brown)

P - PU paint upon a passivation layer. Selection of any RAL No. (default 7035)

C - Conversion Coating passivation according to MIL-C-5541E Class 3 (Yellowish)

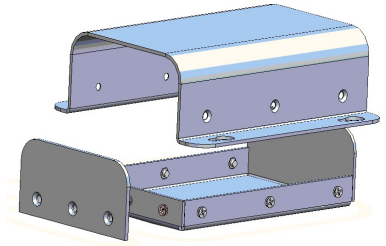


CSTM
R&D Solutions





CSTM
R&D Solutions



CSTM's Aluminum Project Boxes - FT3 Series - Selection Table

#	Mid P/N	Internal Dimensions			Useful Area [cm ²]	External Dimensions			Useful Int. Vol CC	Weight gr	Unit price break \$US/pc				
		W [mm]	L [mm]	H [mm]		W _E =W+36.2 [mm]	L _E =L+13 [mm]	H _E =H+5.5 [mm]			5 pc	25 pc	100 pc	300 pc	1000 pc
1	70x110x32	70	110	32	70	106.2	123	37.5	196	155					
2	75x115x34	75	115	34	79	111.2	128	39.5	236	170					
3	80x120x36	80	120	36	88	116.2	133	41.5	282	185					
4	85x125x38	85	125	38	98	121.2	138	43.5	333	200					
5	90x130x40	90	130	40	108	126.2	143	45.5	390	220					
6	95x135x42	95	135	42	119	131.2	148	47.5	453	240					
7	95x55x26	95	55	26	46	131.2	68	31.5	102	105					
8	100x140x44	100	140	44	131	136.2	153	49.5	522	260					
9	100x60x28	100	60	28	54	136.2	73	33.5	129	120					
10	105x145x46	105	145	46	142	141.2	158	51.5	598	280					
11	105x65x30	105	65	30	62	141.2	78	35.5	160	135					
12	110x70x32	110	70	32	70	146.2	83	37.5	196	150					
13	115x75x34	115	75	34	79	151.2	88	39.5	236	165					
14	120x80x36	120	80	36	88	156.2	93	41.5	282	180					
15	125x85x38	125	85	38	98	161.2	98	43.5	333	200					
16	130x90x40	130	90	40	108	166.2	103	45.5	390	215					
17	135x95x42	135	95	42	119	171.2	108	47.5	453	235					
18	140x100x44	140	100	44	131	176.2	113	49.5	522	255					
19	145x105x46	145	105	46	142	181.2	118	51.5	598	275					