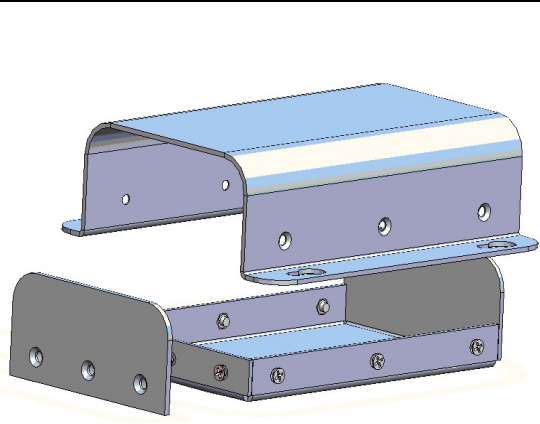
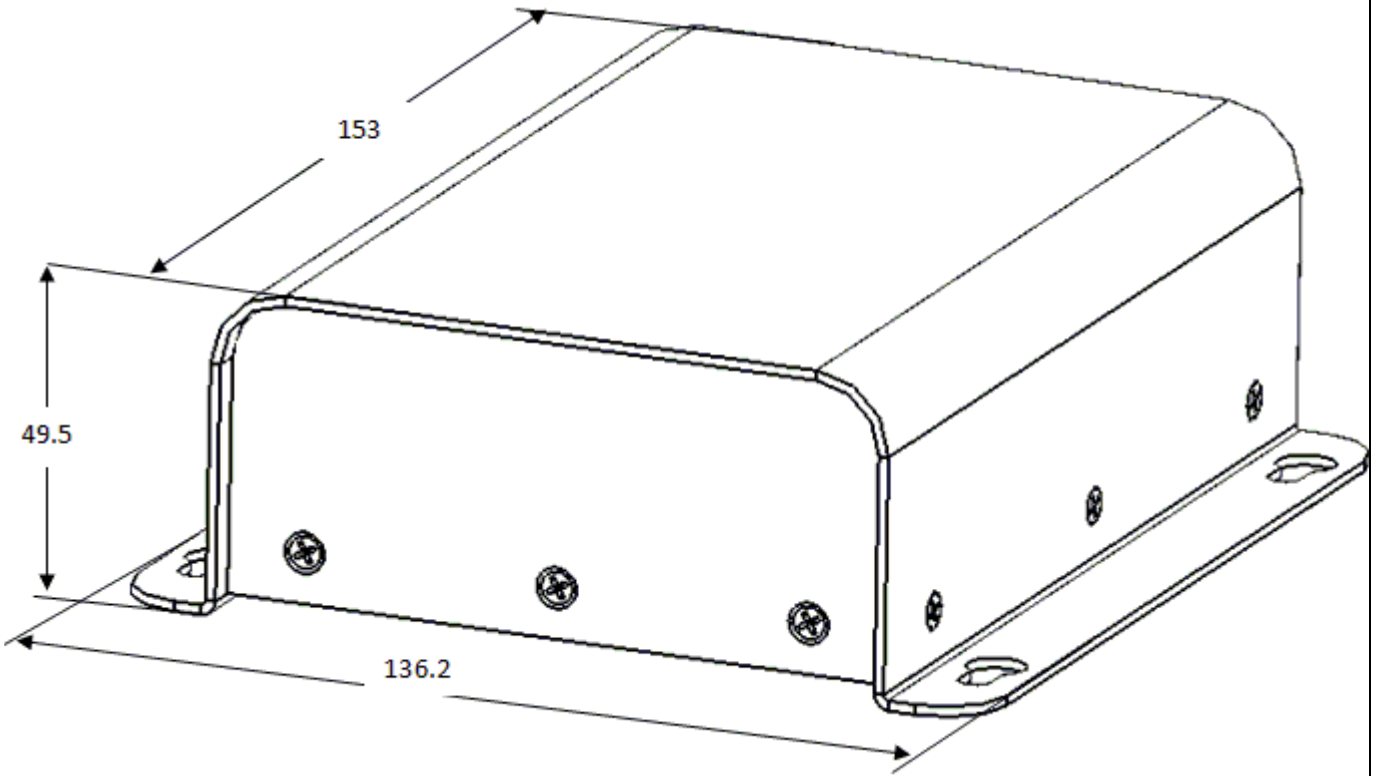




Worldwide OEM equipment supply

CSTM's Aluminum Project Box - DATASHEET



OEMix P/N: CSTM-FT3 - 100x140x44 - P-7035

| | |
|--|---|
| Elements | Base, Cover, Panel |
| Int. Dimensions [mm] (Subtract 4mm for margins) | W 100 X L 140 X H44 |
| Ext. Dimensions [mm] | W 136.2 X L 153X H 49.5 |
| Finish | a. Conv. coat MIL-C-5541 Class 3 b. Gray PU paint RAL#7035 |
| Clamping | 4 Keyhole slots (panel up) |
| Al Sheet thickness [mm] | 1.5 |

For more information please see www.OEMix.com